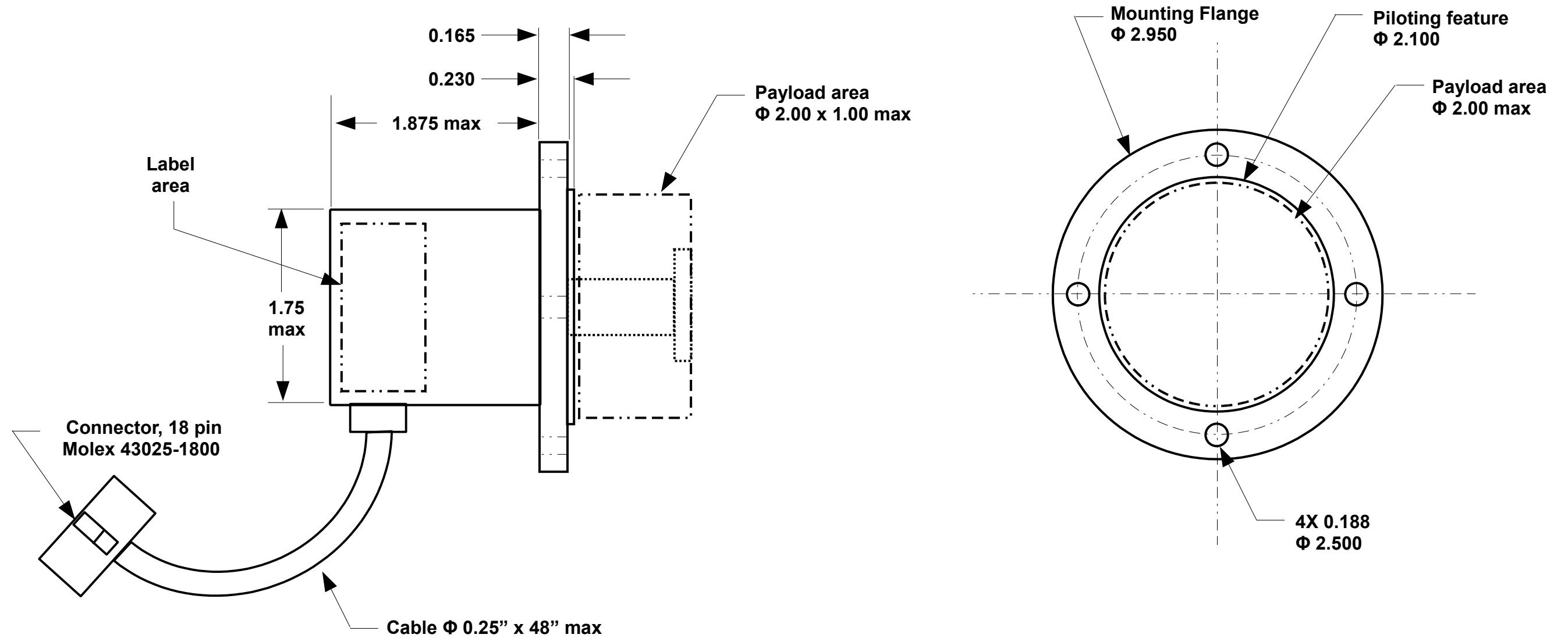


Notes

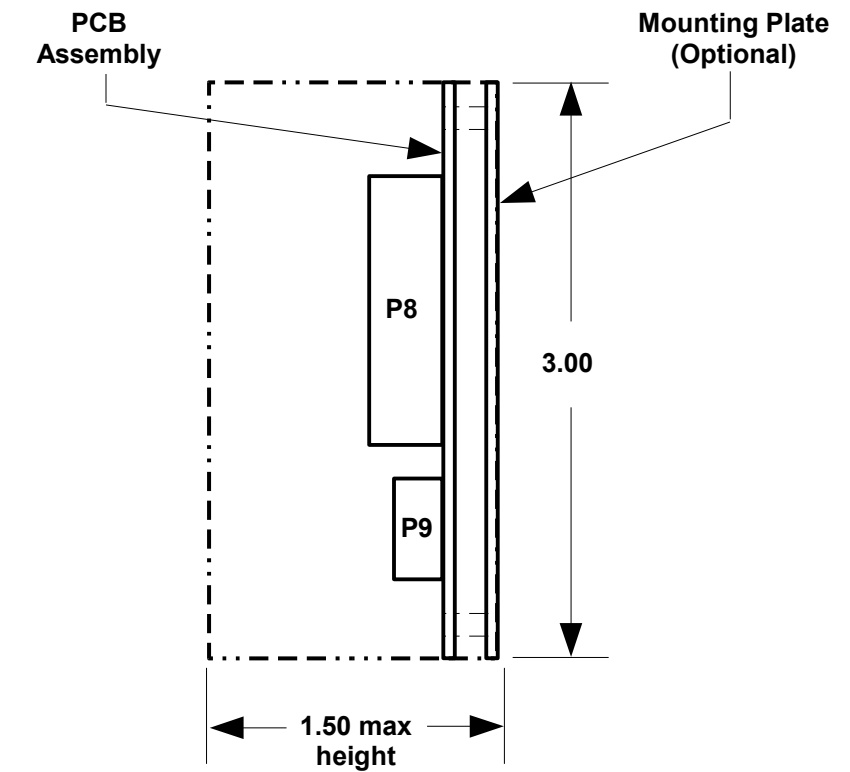
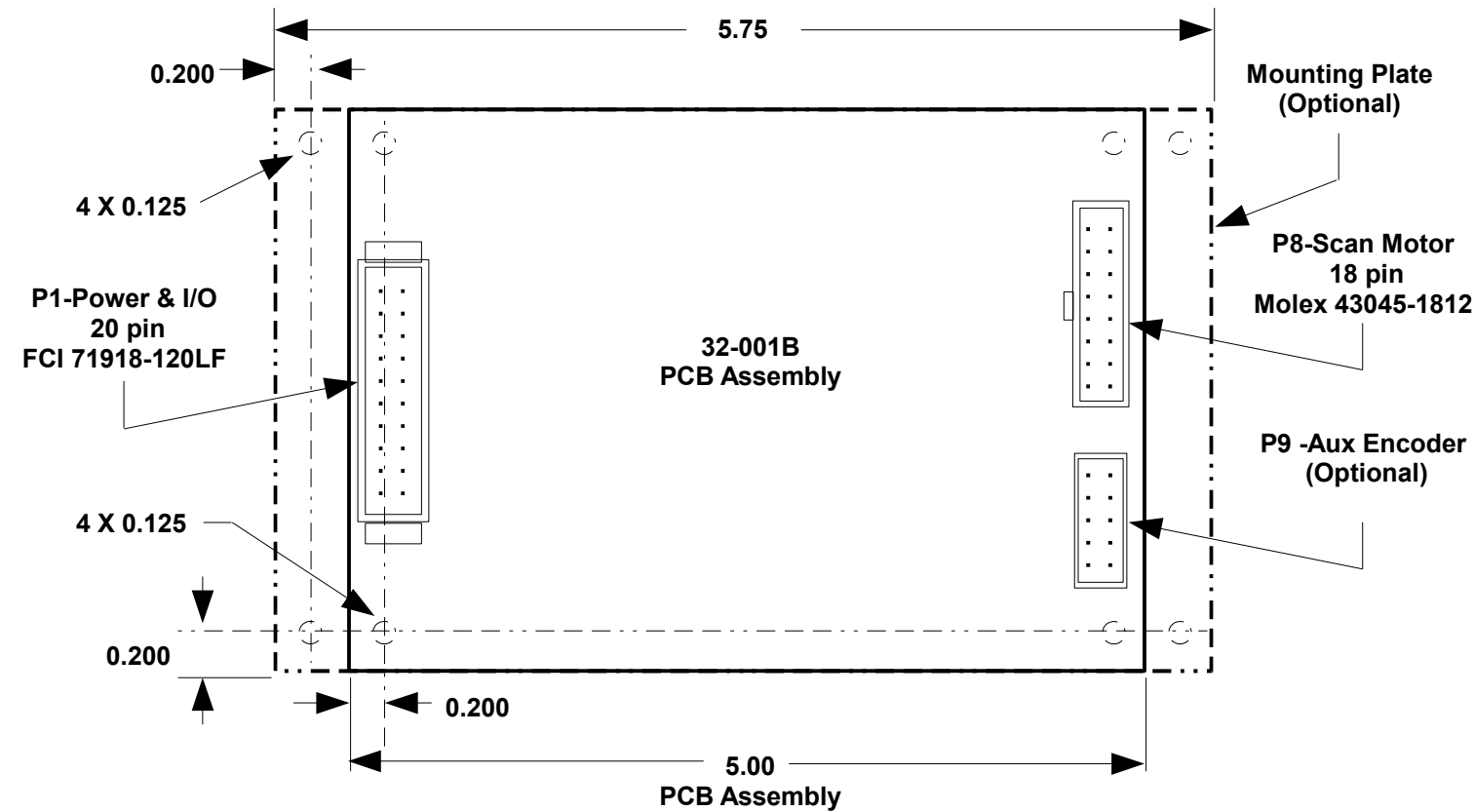
LTR	Description	ECN No.	Date	Initial
A	Initial Release	2012-3	5-29-2012	E.E.
B	Changed per ECN	2014-3	3-13-2014	E.E.



Material	Proprietary Information Do not share with a third party without written approval from SignalTronix	Tolerances unless otherwise specified: X.XXX = $\pm 0.005''$ X.XX = $\pm 0.01''$ Angles = $\pm 0.5^\circ$	Date 3-13-2014	SignalTronix	Part No. 1300-100	Rev. B
Finish		Projection	Approval E.E.		File Name File: 1300100B	Part Name Rotary Scanner Outline & Mounting

Notes

LTR	Description	ECN No.	Date	Initial
A	Initial Release	2012-3	5-29-2012	E.E.
B	Changed per ECN	2014-3	3-13-2014	E.E.



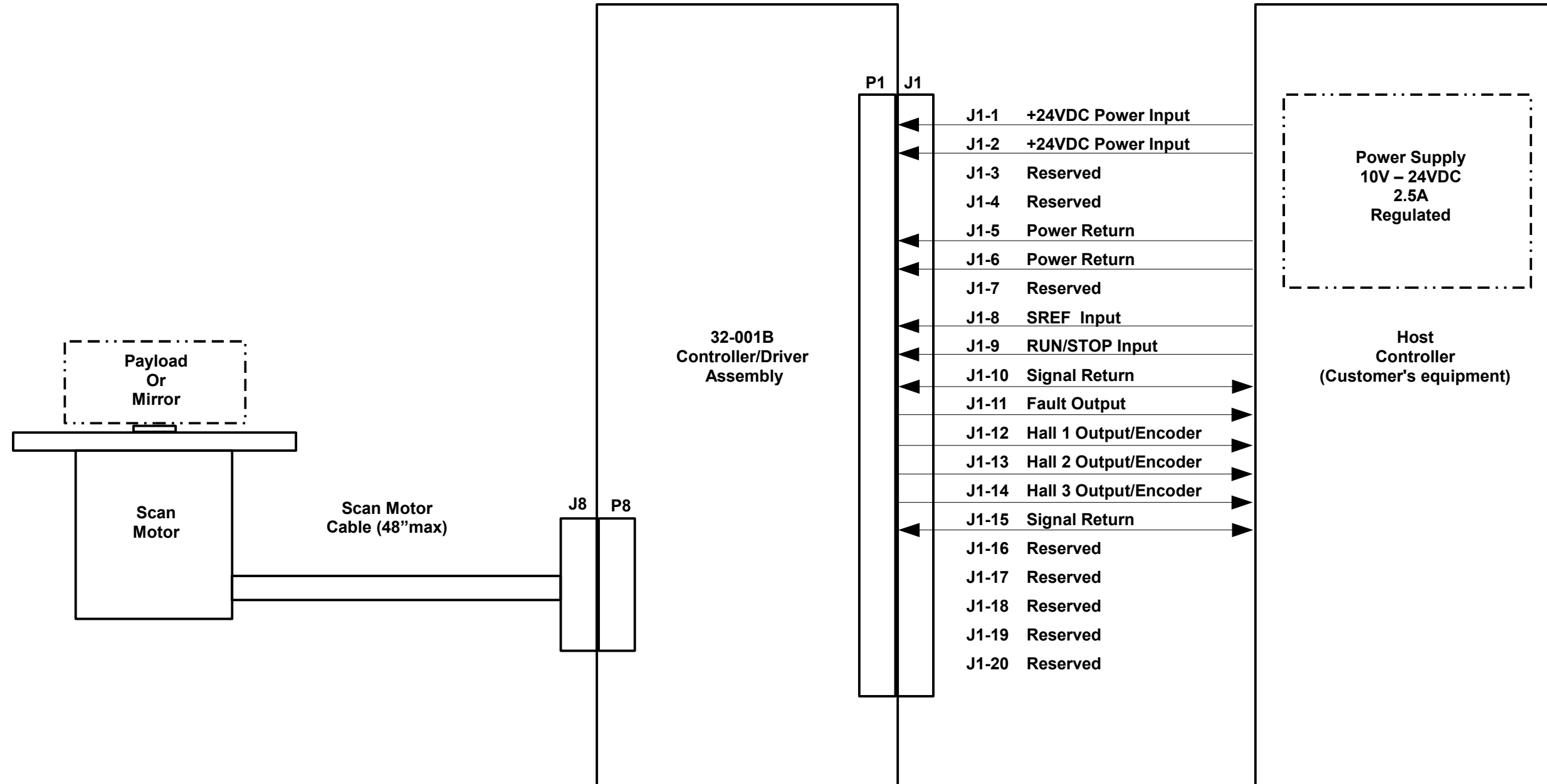
Scan Motor Connector P8		Power and Control Connector P1	
Molex 43045-1812 Mate: 43025-1800		FCI 71918-120LF Mate: 71600-620LF	
J1-1 Motor Phase-A	J2-1 +24VDC Power Input (+12V to +28 range, 2.5A max.)	J2-11 Fault Output	
J1-2 Motor Phase-B	J2-2 +24VDC Power Input (Internally connected to J2-1)	J2-12 Encoder Channel-A Output	
J1-3 Motor Phase-C	J2-3 Reserved	J2-13 Encoder Channel-B Output	
J1-4 Motor Shield	J2-4 Reserved	J2-14 Encoder Index Output	
J1-5 Sensor Power (+5v)	J2-5 Power Return	J2-15 Signal Return	
J1-6 Hall sensor power GND	J2-6 Power Return	J2-16 RT Excitation + (optional)	
J1-7 Hall sensor H1 output	J2-7 Reserved	J2-17 RT Excitation - (optional)	
J1-8 Hall sensor H2 output	J2-8 SREF, Input (HCTTL compatible, RPM = SREF/1250 x 60)	J2-18 Reserved	
J1-9 Hall sensor H3 output	J2-9 RUN/STOP Input (+5V or open = RUN, 0V = STOP)	J2-19 RT Signal + (optional)	
J1-10 Encoder Power (+5V)	J2-10 Signal Return	J2-20 RT Signal - (optional)	
J1-11 RT Excitation + (optional)			
J1-12 RT Excitation - (optional)			
J1-13 RT Signal + (optional)			
J1-14 RT Signal - (optional)			
J1-15 Encoder Channel - A			
J1-16 Encoder Channel - B			
J1-17 Encoder Index			
J1-18 Encoder GND			

Material	Proprietary Information Do not share with a third party without written approval from SignalTronix	Tolerances unless otherwise specified: X.XXX = ±0.005" X.XX = ±0.01" Angles = ± 0.5°	Date 3-13-2014	SignalTronix	Part No. 1300-100	Rev. B
Finish		Projection	Approval E.E.		File Name File: 1300100B	Part Name Rotary Scanner Outline & Mounting

Notes

1. Typical connection configuration
2. Rotation Speed (RPM) = SREF/256 x 60
3. Maximum speed: 5000 RPM

LTR	Description	ECN No.	Date	Initial
A	Initial Release	2012-3	5-29-2012	E.E.
B	Changed per ECN	2014-3	3-13-2014	E.E.



Material	Proprietary Information Do not share with a third party without written approval from SignalTronix	Tolerances unless otherwise specified: X.XXX = ±0.005" X.XX = ±0.01" Angles = ± 0.5°	Date 3-13-2014		Part No. 1300-100	Rev. B
Finish		Projection	Approval E.E.		File Name File: 1300100B	Part Name Rotary Scanner Outline & Mounting